



47104294
Edition 2
September 2012

Cordless Screwdriver

QX Series

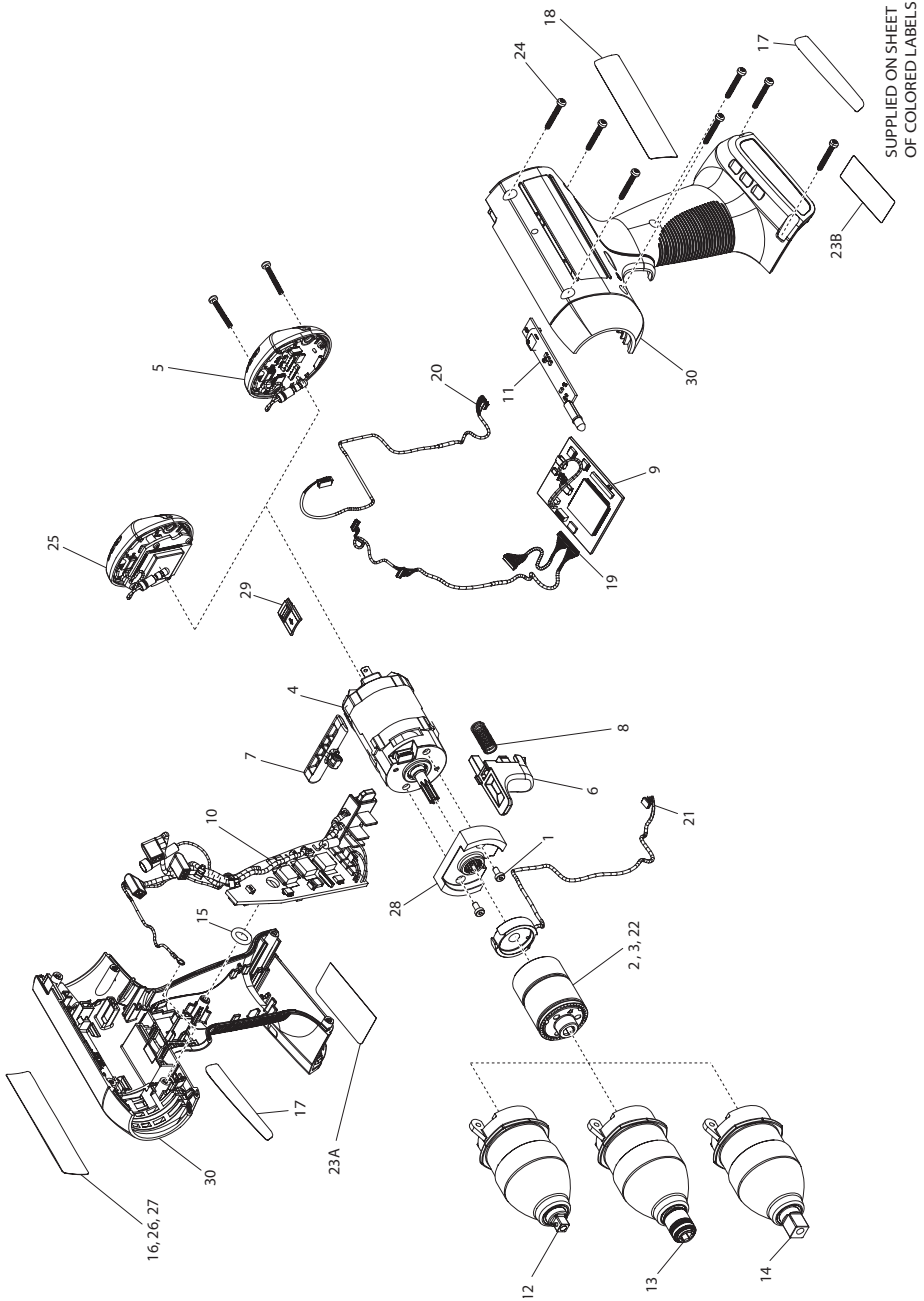
Parts Information



Save These Instructions

 **Ingersoll Rand**[®]

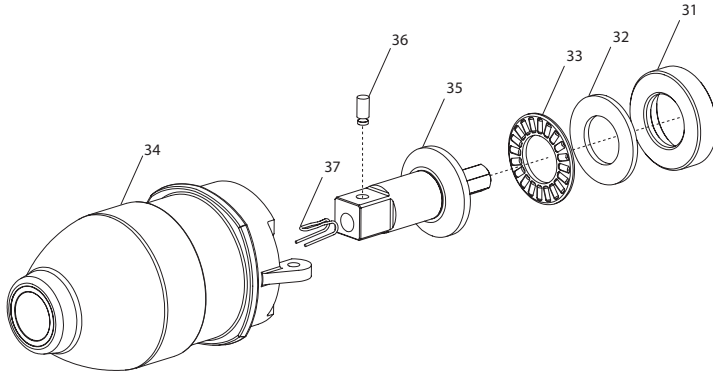
QX Housing Assembly - Exploded View



QX Housing Assembly - Parts List

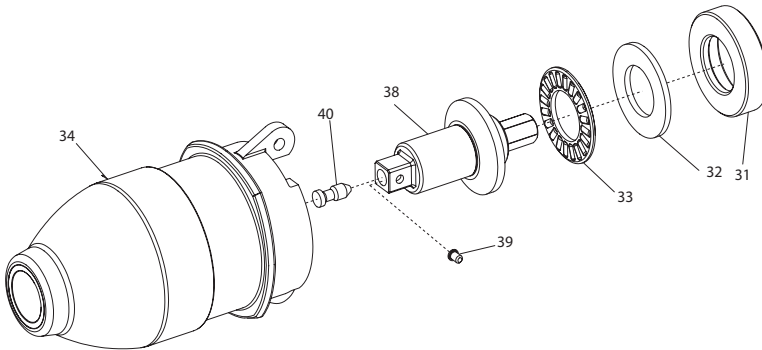
Item	Part Description	Part Number
1	Screw (M3 X .5) (2)	CPS2 - 667 - 735
2	Gear Pack Assembly (QX()2PT12() SERIES)	VP1 - M37 - 2696
3	Gear Pack Assembly (QX()2PT08() SERIES)	VP1 - M37 - 17P1
4	Motor Assembly	VP1 - A54
5	Display Assembly	VP1 - A888
6	Trigger Assembly	VP1 - A93
7	Switch, F/R Assembly	VP1 - A75
8	Spring	VP1 - 726
9	PCB, Foot	84737 - A499 - 1
10	PCB, Handle	84737 - A499 - 3
11	PCB, Trigger and FR	84737 - A499 - 5
12	1/4" Square Gear Case Assembly	VP1 - A8 - S4
13	Quick Change Gear Case Assembly	VP1 - A8 - Q4
14	3/8" Square Gear Case Assembly	VP1 - A8 - S6
15	O-ring, PCB	VP1 - 282
16	Warning Label, 12 Nm	VP1 - 99 - 12
17	Identification Label, Sheet (6 pairs of colored labels)	VP1 - 300
18	Name Plate Label	VP1 - 301
19	Internal Interface Cable	84737 - CABLE - 1
20	Motor Hall Cable	84737 - CABLE - 2
21	Transducer Assembly	VP1 - A756
22	Gear Pack Assembly (QX()2PT04() SERIES)	VP1 - M37 - 13P18
23A	Info Label	VP1 - 486
23B	Info Label	VP1-486-2
24	Screw (9)	VP1 - 105
25	Display Assembly, Wireless	VP1 - A888W
26	Warning Label, 8 Nm	VP1 - 99 - 8
27	Warning Label, 4 Nm	VP1 - 99 - 4
28	Motor Mount	VP1 - 108 - NTL
29	USB Cover	VP1 - 441
30	Handle Assembly (Both Halves)	VP1 - A59

VP1-A8-S6 3/8" Square Gear Case Assembly QX()2PT()S6 Series



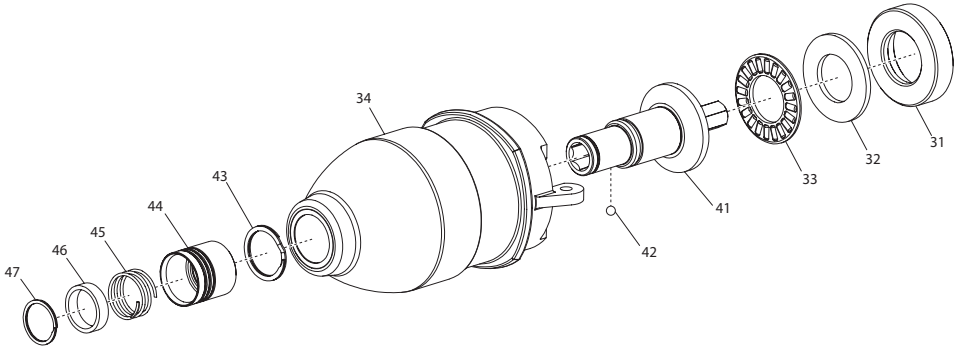
Item	Part Description	Part Number
31	Nut	VP1-305
32	Thrust Washer	DAA6A - 107
33	Thrust Bearing	R1610 - 105
34	Gear Housing Assembly	VP1 - A40
35	Spindle, Square 3/8	VP1 - 8 - S6
36	Retainer	5020 - 716
37	Spring	401 - 718

VP1-A8-S4 1/4" Square Gear Case Assembly QX()2PT()S4 Series



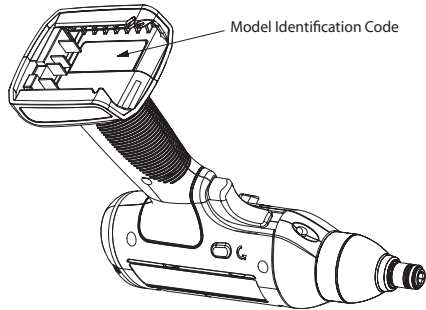
Item	Part Description	Part Number
31	Nut	VP1 - 305
32	Thrust Washer	DAA6A - 107
34	Gear Housing Assembly	VP1 - A40
33	Thrust Bearing	R1610 - 105
38	Spindle, 1/4" Square	VP1 - 8 - S4
39	Pin	47028
40	Insert (Rubber)	46749

VP1-A8-Q4 Quick Change Gear Case Assembly QX()2PT()Q4 Series



Item	Part Description	Part Number
31	Nut	VP1-305
32	Thrust Washer	DAA6A-107
33	Thrust Bearing	R1610- 105
34	Gear Housing Assembly	VP1-A40
41	Spindle, Quick Connect	VP1-8- Q4
42	Ball	R000B-263
43	Multi Turn Snap Ring	182A13-CXRSN50
44	Collar, Quick Change	CPS2-930
45	Spring	TRH-93I
46	Spacer, Quick Change	CPS2-244
47	Spiral Retaining Ring	TRH-118

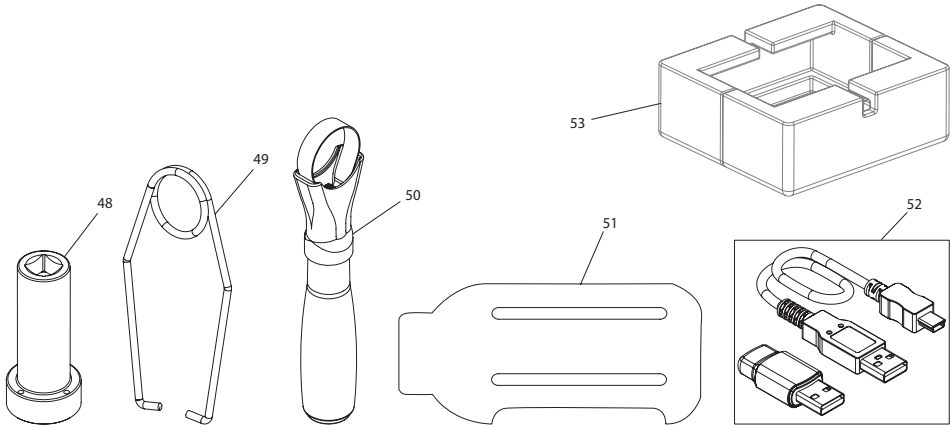
QX Tool Assembly



Suggested Tools

Tool Used	Description	Where Used?
Torque Screwdriver	2 Nm capacity	Housing and Motor Mount screws
T10 Torx Bit	---	Housing screws
Allen Wrench	2 mm	Motor Mount screws
Nylon Pick	---	O-Rings, Wires, etc.
Torque Wrench	$\frac{3}{8}$ " Square Drive, 20 Nm capacity	Gear Case Housing Nut
Gear Case Housing Nut Tool	IR Part # VP1-00003	Gear Case Housing Nut

QX Accessories (Optional)



Item	Part Description	Part Number
48	Bearing Nut Tool	VP1-00003
49	Suspension Bale	VP1-365
50	Auxiliary Handle	VP1-A48
51	Boot	VP1-BOOT
52	Communication Kit (1 m USB Cable & ICS Software)	84737-COMM-KIT
53	Gear Case Holding Fixture (used with item 48)	VP1-00004

QX Packaging Parts List

Part Description	Part Number
Corrugated Box	B0X-VP1
Foam	FOAM-VP1

Grease

Part Description	Grease P/N
IR #69 - Grease	VP1-1LB

Parts and Maintenance

When the life of the tool has expired, it is recommended that the tool be disassembled, degreased and parts be separated by material so that they can be recycled.

Tool repair and maintenance should only be carried out by an authorized Service Center.

Refer all communications to the nearest **Ingersoll Rand** Office or Distributor.

Related Documentation

For additional information refer to:

Product Safety Information Manual 47114541.

Product Information Manual 47104286.

Maintenance Information Manual 47104302.

Manuals can be downloaded from www.ingersollrandproducts.com

Notes:

www.ingersollrandproducts.com

© 2012 Ingersoll-Rand, plc

