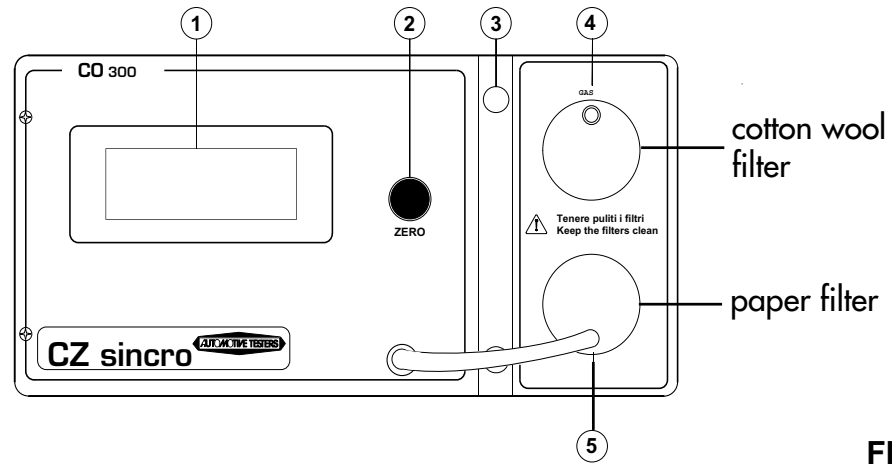
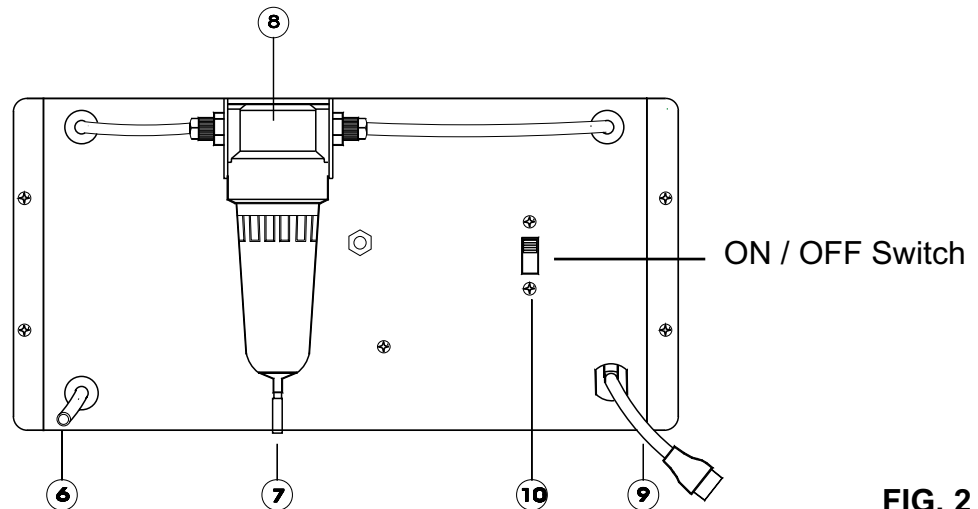


**1. FRONT AND REAR PANEL**



**FIG. 1**

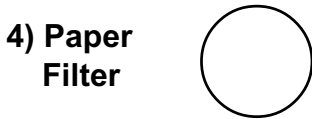
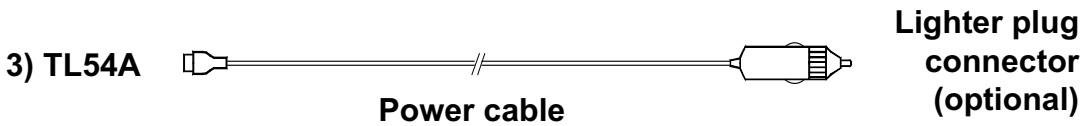
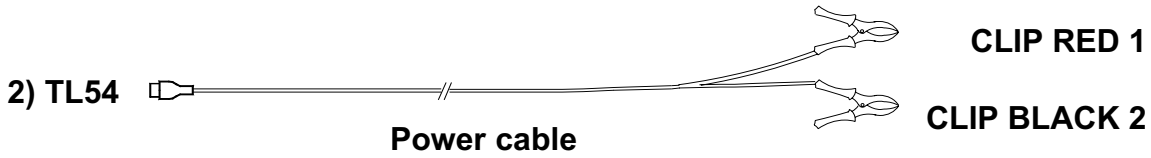
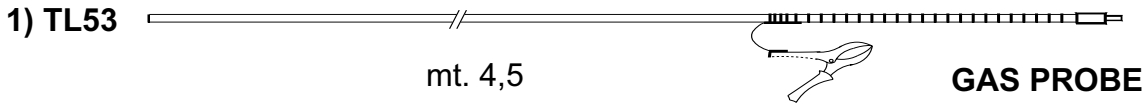
- 1- CO% DISPLAY
- 2- ZEROING PUSH-BUTTON
- 3- LOCKING THE PANEL OF FILTERS' CAPS
- 4- NIPPLE FOR EXHAUST GAS PROBE
- 5- AIR FILTER



**FIG. 2**

- 6- EXHAUST GAS OUTLET
- 7- WATER CONDENSATION OUTLET
- 8- WATER CONDENSATION FILTER
- 9- 12V POWER SUPPLY
- 10- ON/OFF PUMP SWITCH

**2. STANDARD ACCESSORIES**



**3. TECHNICAL FEATURES**

| DESCRIPTION                                | RANGE                      | RESOLUTION |
|--|----------------------------|------------|
| Power voltage.....                         | 10 - 16 Volt DC            |            |
| CO measurements .....<br>(carbon monoxide) | 0 - 10.0 %.....            | 0.1 %      |
| Accuracy .....                             | <5 % f.s.                  |            |
| Operating temperature.....                 | 10 - 45 degrees centigrade |            |
| Warming-up time.....                       | approx. 1 minute           |            |