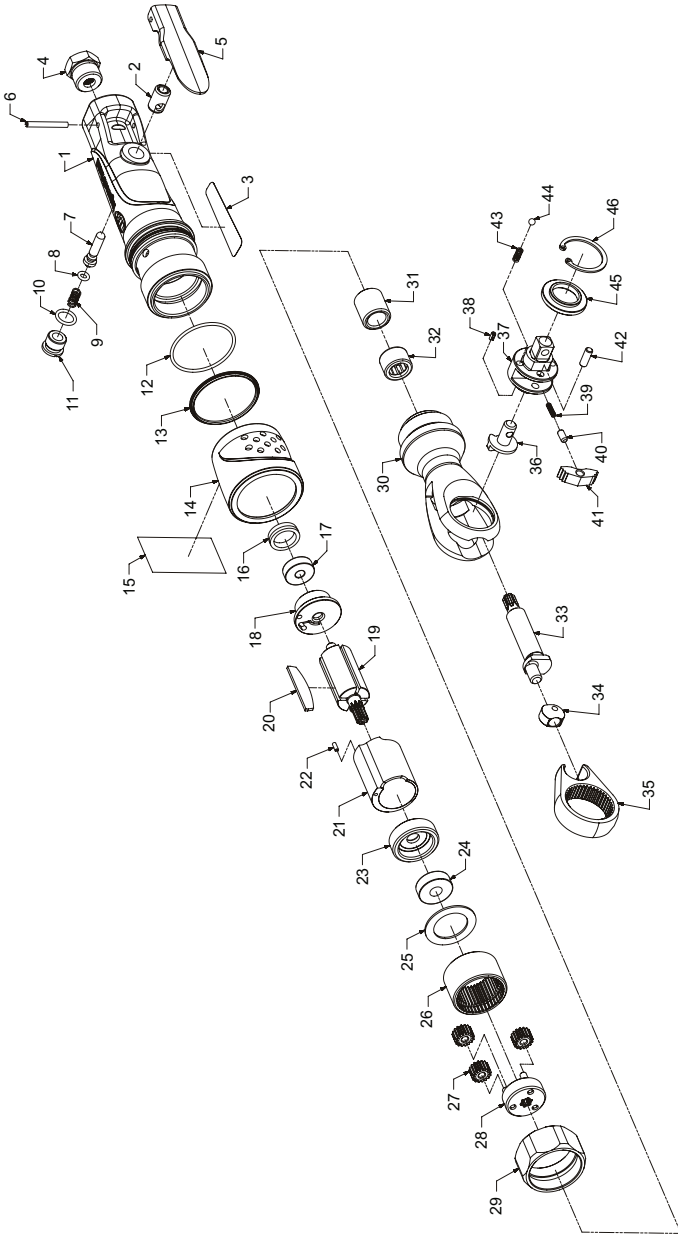


107XPA and 1077XPA Air Ratchet Wrench Exploded Diagram



(Dwg. 16590333)

107XPA and 1077XPA Air Ratchet Wrench Parts List

Item	Part Description	Part Number	Item	Part Description	Part Number
	Housing Assembly		29	Coupling Nut	170-27
	for 107XPA	107XPA-A40		Ratchet Housing Assembly	107XPA-A322
	for 1077XPA	1077XPA-A40	30	Ratchet Housing	---
1	Housing	---	31	Crankshaft Bushing	---
2	Valve Bushing	---	32	Crankshaft Needle Bearing	---
3	Nameplate		33	Crankshaft	107XPA-35
	for 107XPA	107XPA-301	34	Drive Bushing	170-36
	for 1077XPA	1077XPA-301	35	Yoke	109XPA-37
4	Inlet Bushing Assembly	170-565		Ratchet Head Kit	
	Trigger Lever Kit	107XPA-LK		for 107XPA	107XPA-TRK1
5	Trigger Lever	---		for 1077XPA	1077XPA-TRK1
6	Trigger Lever Pin	---	36	Reverse Button	107XPA-38
	Throttle Kit	170-TK	37	Anvil Assembly	
7	Throttle Valve	---		for 107XPA	107XPA-A44
8	Throttle Valve O-Ring	---		for 1077XPA	1077XPA-A44
9	Throttle Valve Spring	---	38	Reverse Button Stop Pin	---
10	Valve Plug O-Ring	---		Pawl Kit	107XPA-K43
11	Valve Plug	---	39	Lock Spring	---
12	Housing O-Ring	107XPA-367	40	Lock Pin	---
13	Ring	107XPA-338	41	Pawl	---
	Exhaust Diffuser Assembly	107XPA-A123	42	Pawl Retaining Pin	---
14	Exhaust Diffuser	---		Spring Kit	107XPA-SK
15	Warning Label	WARNING-27-99	43	Friction Spring (2 per kit)	---
	Motor Assembly	170-MK	44	Friction Ball (2 per kit)	---
16	End Cap	170-207	45	Thrust Washer	---
17	Rear Rotor Bearing	170-97	46	Retaining Ring	---
18	Rear End Plate	170-12		Tune-Up Kit (Includes items 7 through 12, 16, 17, 20 and 24)	107XPA-TK1
19	Rotor	170-53		Oil - Ingersoll Rand No. 10 (4 oz. bottle)	10Z4
20	Vane Pack (set of 4)	170-42-4		Grease	---
	Cylinder Assembly	170-A3		IR # 67 (1 lb can) - for Gearing	67-1 LB
21	Cylinder	---		IR # 67 (8 lb can) - for Gearing	67 8 LB
22	Motor Alignment Pin	---		IR # 70 (1 lb can) - for Ratchet Head	70 1 LB
23	Front End Plate	170-11		IR # 70 (8 lb can) - for Ratchet Head	70 8 LB
24	Front Rotor Bearing	308A-22		Spline Wrench (for removal of item 26)	170-SW
25	Spacer	170-123			
	Gearing Kit	170-GK			
26	Internal Gear	---			
27	Planet Gear (3 per gearing kit)	---			
28	Spindle Assembly	---			

Parts and Maintenance

When the life of the tool has expired, it is recommended that the tool be disassembled, degreased and parts be separated by material so that they can be recycled.

Tool repair and maintenance should only be carried out by an authorized Service Center. Refer all communications to the nearest **Ingersoll Rand** Office or Distributor.

Related Documentation

For additional information refer to:
Air Ratchet Wrench Safety Information Manual Form 04580361.
Air Ratchet Wrench Product Information Manual 80177587.

Manuals can be downloaded from www.irtools.com.



www.irtools.com

© 2006 Ingersoll Rand Company

80177595

Edition 2

July 2006