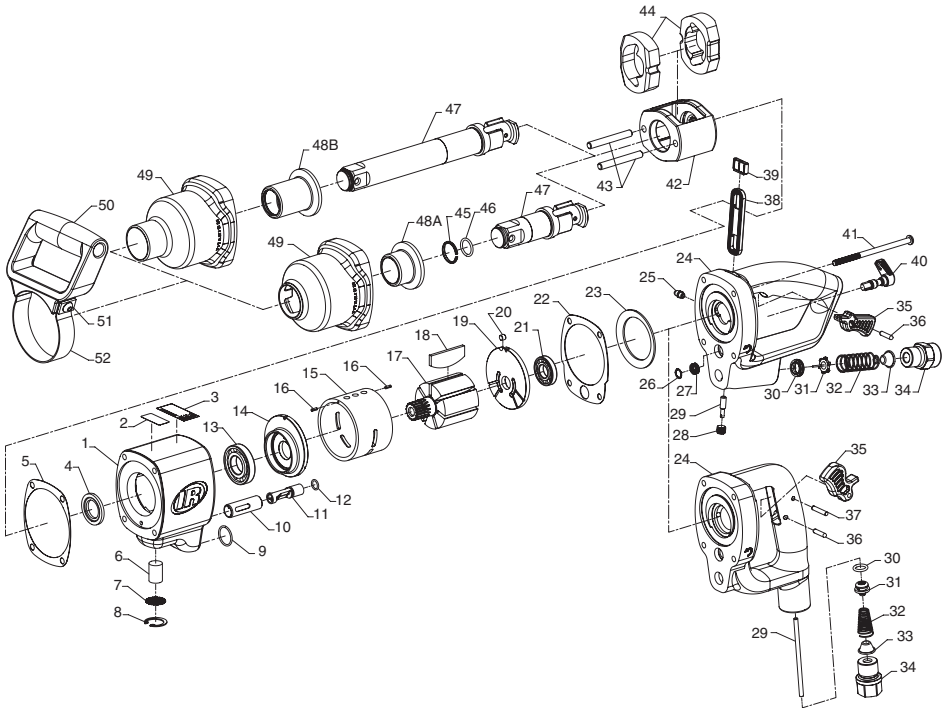


## 2190Ti Series Air Impact Wrench Exploded Diagram



(Dwg. TP2223)

### 2190Ti Series Air Impact Wrench Parts List

| Item | Part Description         | Part Number  | Item | Part Description                   | Part Number |
|------|--------------------------|--------------|------|------------------------------------|-------------|
| *    | Housing Assembly         | 2925B-A40    | 16   | Dowel Pin, Cylinder (2)            | ---         |
| 1    | Housing                  | ---          | 16   | Dowel Pin, Cylinder (2 Required)   | JC3350-538  |
| 3    | Warning Label            | ---          | 17   | Rotor                              | 2080-53     |
| 10   | Bushing, Reverse Valve   | ---          | 18   | Vane Pack (Set of 7)               | 2925-42-7   |
| 2    | Information Label        | 1-800-LABEL  | 19   | End Plate, Rear                    | 2161-12     |
| 3    | Warning Label            | WARNING-2-99 | 20   | Dowel Pin, Rear End Plate          | 2920-74     |
| 5    | Gasket, Hammer Case      | 2161-36      | 21   | Bearing, Rear End Plate            | 4E-510      |
| *    | Reverse Valve Assembly   | 2190-A329    | 22   | Gasket, Handle                     | 2161-739    |
| 11   | Reverse Valve            | ---          | 23   | Washer, Motor                      | 2161-207    |
| 12   | O-Ring, Reverse Valve    | ---          | *    | Handle Assembly (2190Ti, 2190TI-6) | 2190-A92    |
| 26   | Snap Ring, Reverse Lever | ---          | *    | Handle Assembly (2190DTI-6)        | 2925B-A92   |
| 27   | Spring, Reverse Lever    | ---          | 24   | Handle                             | ---         |
| 40   | Reverse Lever            | ---          | 9    | O-Ring, Housing                    | ---         |
| 13   | Bearing, Front End Plate | 834-24       | 22   | Gasket, Hammer Case                | ---         |
| 14   | End Plate, Front         | 2161-11      | 25   | Grease Fitting                     | ---         |
| *    | Cylinder Assembly        | 2925-A3      | 26   | Snap Ring, Reverse Lever           | ---         |
| 15   | Cylinder                 | ---          | 27   | Spring, Reverse Lever              | ---         |

\* Not Illustrated.

| Item | Part Description                     | Part Number | Item | Part Description                           | Part Number   |
|------|--------------------------------------|-------------|------|--|---------------|
| 28   | Pipe Plug (2190Ti, 2190Ti-6)         | ---         | 47   | Anvil Assembly                             | ---           |
| 29   | Plunger Pin                          | ---         | 5    | Gasket, Hammer Case                        | ---           |
| 30   | Valve Seat                           | ---         | *    | Socket Retainer Kit                        | 2190-SRK1     |
| 31   | Throttle Valve                       | ---         | 45   | Socket Retainer                            | ---           |
| 32   | Spring, Inlet                        | ---         | 46   | O-Ring, Socket Retainer                    | ---           |
| 33   | Air Strainer                         | ---         | *    | Anvil Assembly (2190Ti)                    | 2080-A726     |
| 34   | Inlet Bushing Assembly               | ---         | *    | Anvil Assembly (2190Ti-6, 2190DTi-6)       | 2080-A826-6   |
| 35   | Trigger                              | ---         | 47   | Anvil Assembly                             | ---           |
| 36   | Trigger Pin                          | ---         | 46   | O-Ring, Socket Retainer                    | ---           |
| 37   | Dowel Pin, Trigger (2190DTi-6)       | ---         | 45   | Socket Retainer                            | ---           |
| 38   | Throttle Actuator (2190Ti, 2190Ti-6) | ---         | 48A  | Bushing, Hammer Case (2190Ti)              | 2161-641      |
| 39   | Plug (2190Ti, 2190Ti-6)              | ---         | 48B  | Bushing, Hammer Case (2190Ti-6, 2190DTi-6) | 2080-641-6    |
| *    | Inlet Parts Kit (2190Ti, 2190Ti-6)   | 2190-K303   | *    | Hammer Case Assembly (2190Ti)              | 2190Ti-D727   |
| *    | Inlet Parts Kit (2190DTi-6)          | 2190D-K303  | *    | Hammer Case Assembly (2190Ti-6, 2190DTi-6) | 2190Ti-6-D727 |
| 28   | Plug (2190Ti, 2190Ti-6)              | ---         | 49   | Hammer Case                                | ---           |
| 29   | Plunger Pin                          | ---         | 48   | Bushing, Hammer Case                       | ---           |
| 30   | Valve Seat                           | ---         | *    | Dead Handle Assembly                       | 2080-A48      |
| 31   | Throttle Valve                       | ---         | 50   | Dead Handle                                | ---           |
| 32   | Spring, Inlet                        | ---         | 51   | Strap                                      | ---           |
| 33   | Air Strainer                         | ---         | 52   | Cap Screw (2)                              | ---           |
| 34   | Inlet Bushing Assembly               | ---         | *    | Tune-Up Kit                                | 2190-TK1      |
| 25   | Grease Fitting                       | R1-188      | 5    | Gasket, Hammer Case                        | ---           |
| *    | Trigger Assembly (2190Ti, 2190Ti-6)  | 2080-A93    | 6    | Silencer, Exhaust                          | ---           |
| *    | Trigger Assembly (2190DTi-6)         | 2925B-93    | 7    | Exhaust Deflector                          | ---           |
| 35   | Trigger                              | ---         | 8    | Snap Ring, Exhaust                         | ---           |
| 36   | Trigger Pin                          | ---         | 9    | O-Ring, Housing                            | ---           |
| 37   | Dowel Pin, Trigger (2190DTi-6)       | ---         | 12   | O-Ring, Reverse Valve                      | ---           |
| 38   | Throttle Actuator (2190Ti, 2190Ti-6) | 2080-94A    | 13   | Bearing, Front End Plate                   | ---           |
| 39   | Plug (2190Ti, 2190Ti-6)              | 2080-95     | 18   | Vane Pack (Set of 7)                       | ---           |
| 41   | Socket Head Capscrew (4)             | 2080-638    | 21   | Bearing, Rear End Plate                    | ---           |
| *    | Hammer Frame Kit                     | 2190-K703   | 22   | Gasket, Hammer Case                        | ---           |
| 42   | Hammer Frame                         | ---         | 27   | Spring, Reverse Lever                      | ---           |
| 43   | Hammer Pin (2)                       | ---         | 45   | Socket Retainer                            | ---           |
| 4    | Washer, Hammer Frame                 | ---         | 46   | O-Ring, Socket Retainer                    | ---           |
| 5    | Gasket, Hammer Case                  | ---         | *    | Air Tool Oil (4oz. bottle)                 | 1024          |
| *    | Hammer Kit (2190Ti)                  | 2190-THK1   | *    | Grease (1-lb can)                          | 105-1LB       |
| *    | Hammer Kit (2190Ti-6, 2190DTi-6)     | 2190-6-THK1 | *    | Grease (8-lb can)                          | 105-8LB       |
| 44   | Hammer (2)                           | ---         |      |  |               |

\* Not illustrated.

## Parts and Maintenance

When the life of the tool has expired, it is recommended that the tool be disassembled, degreased and parts be separated by material so that they can be recycled.

Tool repair and maintenance should only be carried out by an authorized Service Center. Refer all communications to the nearest **Ingersoll-Rand** Office or Distributor.

## Related Documentation

For additional information refer to:  
 Air Impact Wrench Product Safety Information Manual 04580916,  
 Air Impact Wrench Product Information Manual 04584900.

Manuals can be downloaded from [www.irttools.com](http://www.irttools.com).