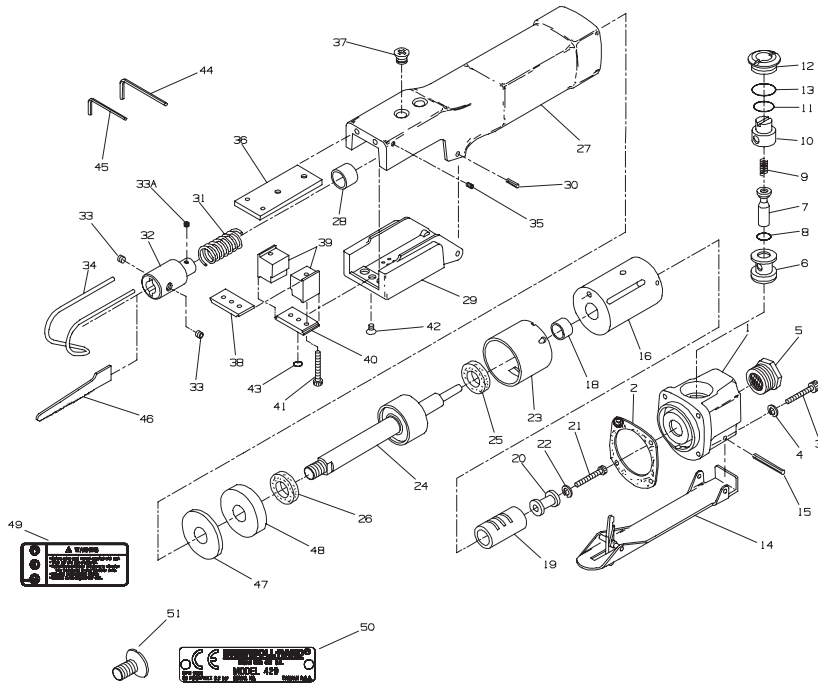


429 Reciprocating Saw Exploded Diagram

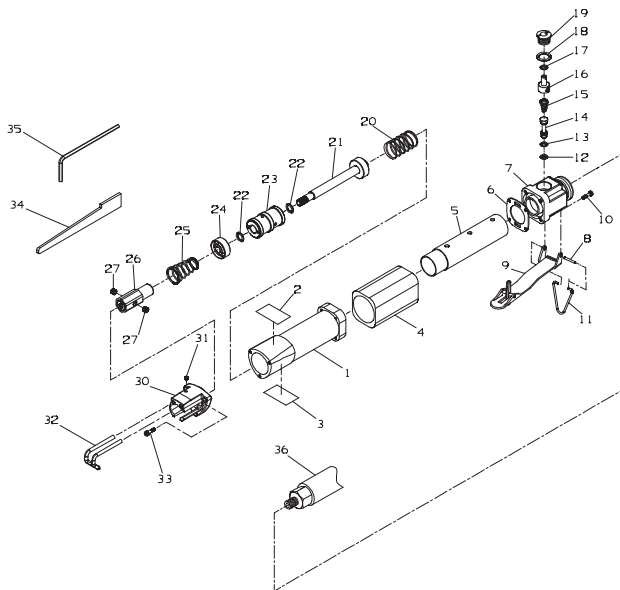


(Dwg. TPA1651-1)

429 Reciprocating Saw Parts List

Item	Part Description	Part Number	Item	Part Description	Part Number
1	Valve Block Assembly	329-A53	28	Housing Bushing	
2	Valve Block Gasket	329-739	29	Housing Cover	329-336
3	Valve Block Mounting Screw (4)	329-70	30	Housing Cover Pin (2)	329-339
4	Mounting Screw Washer (4)	329-71	31	Valve Spring	329-103
5	Inlet Bushing	329-565	32	Blade Chuck	329-274
6	Valve Bushing	329-76	33	Blade Chuck Setscrew (2)	329-68
7	Valve Stem	329-302	33A	Chuck Screw	329-69
8	Valve Stem O-Ring	329-381	34	Work Guide	329-321
9	Valve Spring	329-515	35	Work Guide Setscrew	329-108
10	Air Controller	329-424	36	Guide Plate	329-244
11	Air Controller O-Ring	329-380	37	Guide Plate Mounting Screw (2)	
12	Valve Screw	329-669	38	Upper Shoe	329-245
13	Valve Screw O-Ring	329-379	39	Blade Guide (2)	329-246
14	Throttle Lever	329-273	40	Bridge	329-247
15	Throttle Lever Pin	329-120	41	Bridge Mounting Screw (2)	329-34
16	Valve Case Assembly	329-A10	42	Cover Screw	329-338
18	Valve Case Bushing	329-14	43	Cover Screw O-Ring	329-337
19	Valve Sleeve	329-33	44	Blade Chuck Hex Wrench (4mm)	329-27
20	Valve	329-32	45	Work Guide Hex Wrench (2mm)	329-26
21	Valve Screw	329-34	46	Coarse Blade (6)	P4CS-6
22	Valve Screw Washer	329-37		For additional Saw Blade offerings see www.irttools.com	
23	Cylinder	329-3	47	Washer	429-739
24	Piston Assembly	429-A5	48	Spacer	429-706
25	Rear Bumper	329-222	49	Warning Label	WARNING-7-99
26	Front Bumper	329-221	50	Nameplate	429-301
27	Housing Assembly	429-A40	51	Nameplate Drive Screw (2)	222-302

4429 Heavy-Duty Reciprocating Saw Exploded Diagram



(Dwg. TPA1729-4)

4429 Heavy-Duty Reciprocating Saw Parts List

Item	Part Description	Part Number	Item	Part Description	Part Number
1	Motor Housing Assembly	4429-A40	20	Rear Spring	4429-106
2	Warning Label	4429-99	21	Piston Rod	4429-5
3	Nameplate	4429-301	22	O-Ring (2)	4429-361
4	Grip	4429-GRIP	23	Work Piston	4429-15
5	Cylinder	4429-3	24	Spacer	4429-20
6	Back Cap Gasket	4429-739	25	Front Spring	4429-103
7	Back Cap	4429-102	26	Cap Assembly	4429-B274A
8	Pin	4429-120	27	Screw (2)	4429-68
9	Lever Assembly	4429-273	28	O-Ring	---
10	Bolt (4)	4429-108	29	Blade Holder	---
11	Hanger	4429-365	30	Saw Head Assembly	4429-A50A
12	O-Ring	4429-391	31	Screw	4429-69
13	O-Ring	4429-381	32	Guide	4429-321
14	Throttle Valve	4429-302	33	Bolt (3)	4429-107A
15	Throttle Valve Spring	4429-515	34	Fine Blade (6)	P4FS-6
16	Air Regulator	4429-424		For additional Saw Blade offerings see www.irttools.com	
17	O-Ring	4429-380	35	Wrench	4429-27
18	O-Ring	4429-749	36	Hose Assembly	4429-A130
19	Valve Cap	4429-669	20	Rear Spring	4429-106

Parts and Maintenance

When the life of the tool has expired, it is recommended that the tool be disassembled, degreased and parts be separated by material so that they can be recycled.

Tool repair and maintenance should only be carried out by an authorized Service Center.

Refer all communications to the nearest **Ingersoll Rand** Office or Distributor.

Related Documentation

For additional information refer to:

Air Reciprocating Saw Product Safety Information Manual Form 16578809.

Air Reciprocating Saw Product Information Manual Form 16574873.

Manuals can be downloaded from www.irttools.com.



www.irttools.com

© 2007 Ingersoll Rand Company

16574865

Edition 2

December 2007